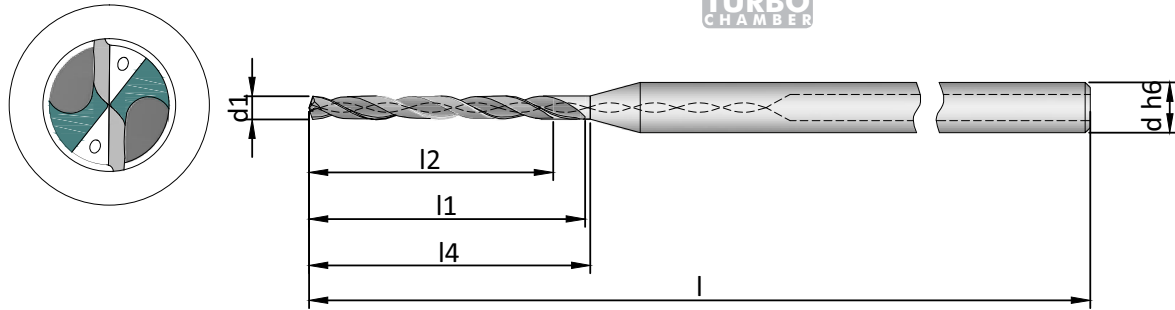


12 x d1
 $\leq \varnothing 2.40$
TURBO
 CHAMBER



Alu	Alu > 9% Si	Steel < 1000 N/mm ²	Steel < 1000-1400 N/mm ²	Stainless Steel	Ni-Cr Alloy	GG	GGG	Copper	Brass	Titanium	Plastic
○	○	●	●	○	●	●	●	○	○	●	○

● Optimum ○ Good

VHM
DM-44

Z=2

RH

~30° HELIX

12 x d1

140°

S

Type-HA

SHRINK FIT

HSC

order no	d1 ^{+0.001} / _{-0.002}	l2	l1	l4	l	d
635.100.16	1.00	16.00	18.00	19.10	77	3.00
635.105.16*	1.05	16.80	18.90	19.85	77	3.00
635.110.16	1.10	17.60	19.80	21.00	77	3.00
635.115.16 *	1.15	18.40	20.70	21.74	77	3.00
635.120.16	1.20	19.20	21.60	22.68	77	3.00
635.125.16 *	1.25	20.00	22.50	23.63	77	3.00
635.130.16	1.30	20.80	23.40	24.57	77	3.00
635.135.16 *	1.35	21.60	24.30	25.52	77	3.00
635.140.16	1.40	22.40	25.20	26.46	77	3.00
635.145.16 *	1.45	23.20	26.10	27.41	77	3.00
635.150.16	1.50	24.00	27.00	28.35	77	3.00
635.155.16	1.55	24.80	27.90	29.30	77	3.00
635.160.16	1.60	25.60	28.80	30.24	77	3.00
635.165.16	1.65	26.40	29.70	31.19	77	3.00
635.170.16	1.70	27.20	30.60	32.13	77	3.00
635.175.16	1.75	28.00	31.50	33.08	77	3.00
635.180.16	1.80	28.80	32.40	34.02	84	3.00
635.185.16	1.85	29.60	33.30	34.97	84	3.00
635.190.16	1.90	30.40	34.20	35.91	84	3.00
635.195.16	1.95	31.20	35.10	36.86	84	3.00
635.200.16	2.00	32.00	36.00	37.80	84	3.00
635.205.16	2.05	32.80	36.90	38.75	84	3.00
635.210.16	2.10	33.60	37.80	39.69	91	3.00
635.215.16	2.15	34.40	38.70	40.64	91	3.00
635.220.16	2.20	35.20	39.60	41.58	91	3.00
635.225.16	2.25	36.00	40.50	42.53	91	3.00
635.230.16	2.30	36.80	41.40	43.47	91	3.00
635.235.16	2.35	37.60	42.30	44.42	91	3.00
635.240.16	2.40	38.40	43.20	45.36	91	3.00
635.245.16	2.45	39.20	44.10	46.31	91	3.00
635.250.16	2.50	40.00	45.00	47.25	91	3.00
635.255.16	2.55	40.80	45.90	48.20	91	3.00
635.260.16	2.60	41.60	46.80	49.14	91	3.00
635.265.16	2.65	42.40	47.70	50.09	91	3.00
635.270.16	2.70	43.20	48.60	51.03	104	3.00

order no	d1 ^{+0.001} / _{-0.002}	l2	l1	l4	l	d
635.275.16	2.75	44.00	49.50	51.98	104	3.00
635.280.16	2.80	44.80	50.40	52.92	104	3.00
635.285.16	2.85	45.60	51.30	53.87	104	3.00
635.290.16	2.90	46.40	52.20	54.81	104	3.00
635.295.16	2.95	47.20	53.10	55.76	104	3.00
635.300.16	3.00	48.00	54.00	56.70	104	3.00
635.305.16	3.05	48.80	54.90	57.65	104	4.00
635.310.16	3.10	49.60	55.80	58.59	104	4.00
635.315.16	3.15	50.40	56.70	59.54	104	4.00
635.320.16	3.20	51.20	57.60	60.48	104	4.00
635.325.16	3.25	52.00	58.50	61.43	104	4.00
635.330.16	3.30	52.80	59.40	62.37	104	4.00
635.335.16	3.35	53.60	60.30	63.32	104	4.00
635.340.16	3.40	54.40	61.20	64.26	104	4.00
635.345.16	3.45	55.20	62.10	65.21	104	4.00
635.350.16	3.50	56.00	63.00	66.15	104	4.00
635.355.16	3.55	56.80	63.90	67.10	104	4.00
635.360.16	3.60	57.60	64.80	68.04	104	4.00
635.365.16	3.65	58.40	65.70	68.99	104	4.00
635.370.16	3.70	59.20	66.60	69.93	104	4.00
635.375.16	3.75	60.00	67.50	70.88	104	4.00
635.380.16	3.80	60.80	68.40	71.82	104	4.00
635.385.16	3.85	61.60	69.30	72.77	104	4.00
635.390.16	3.90	62.40	70.20	73.71	104	4.00
635.395.16	3.95	63.20	71.10	74.66	104	4.00
635.400.16	4.00	64.00	72.00	75.60	104	4.00

<Ø1.00 & >Ø4.00 ON REQUEST
 UPTO 30xd1 ON REQUEST
 INTERNAL COOLANT STEP DRILLS ON REQUEST

- DIAMETER TOLERANCE IS BEFORE COATING
- EDGE PREPARATION INCLUDED
- COATING ON REQUEST
- LASER MARKING ON REQUEST
- SPECIAL DIAMETERS & LENGTHS ON REQUEST
- * NO STOCK-ON SHORT DELIVERY